

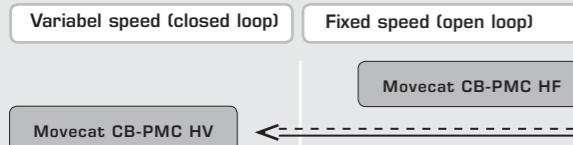
# I-MOTION Network Stop category 1 for variable speed devices

## Integration 3<sup>rd</sup> party devices

### Configuration >> individual

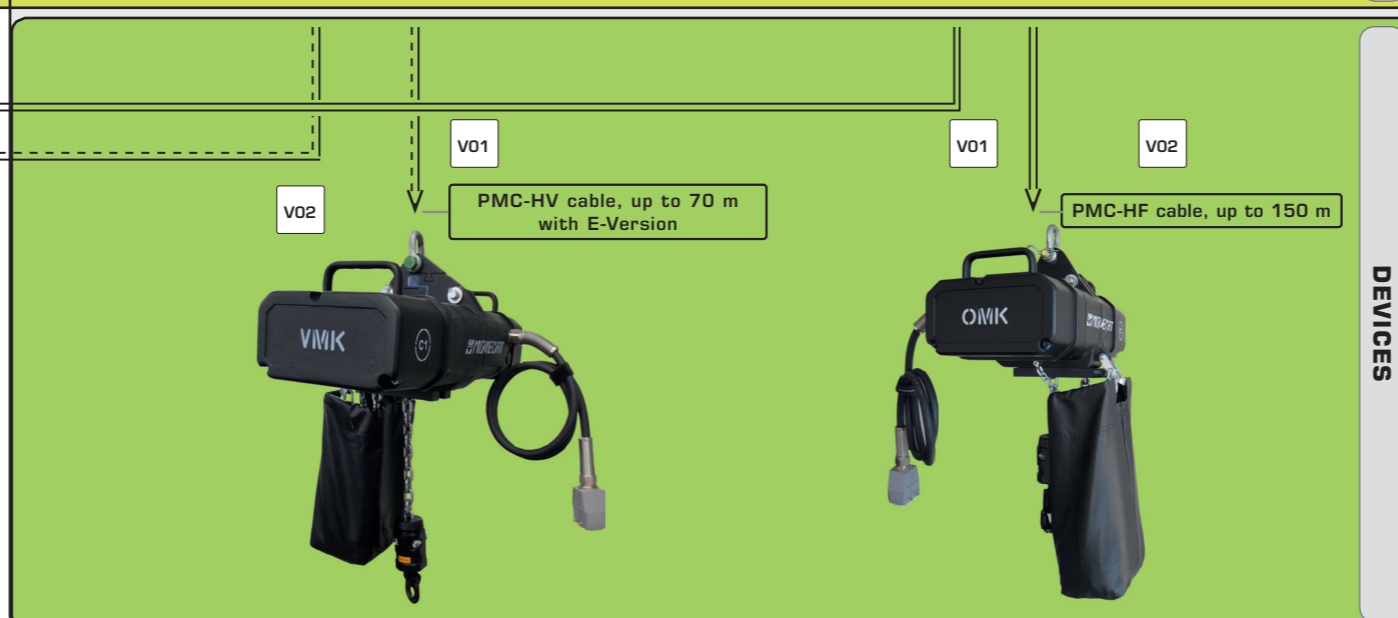
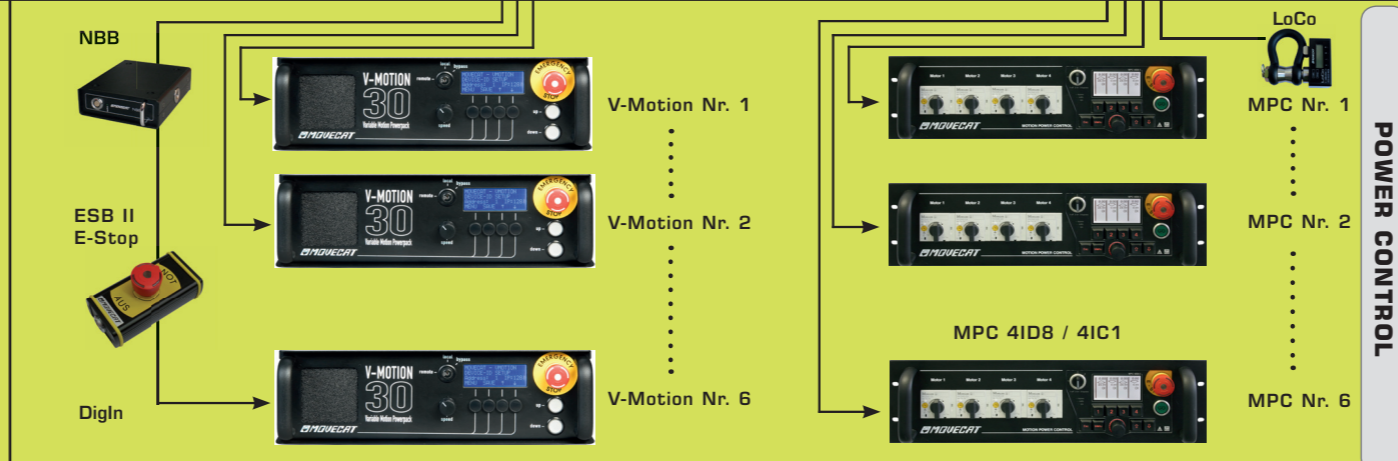
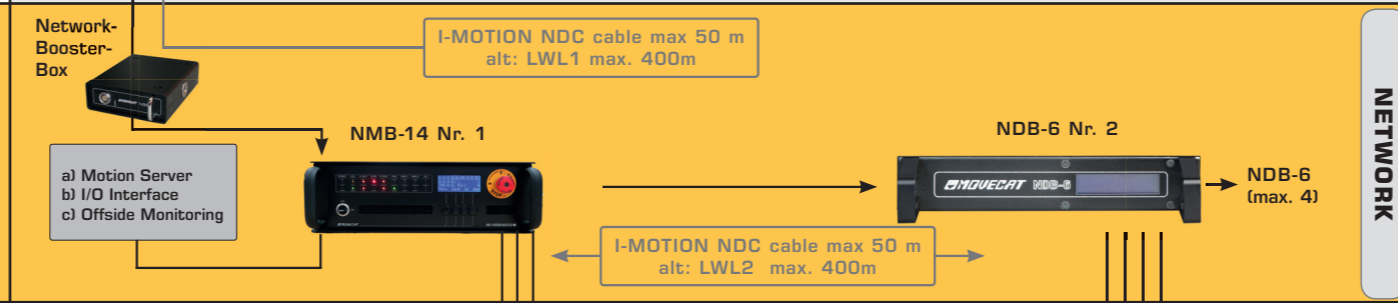
- Programming parameter control
- Frequency inverter control
- Software setup
- Testing procedure

power:	3ph. 380-480 Volt / 0-100 Hz
4-way limit switches:	work and over travel
encoder absolute:	24-29 bit ssi grey code
encoder incremental:	RS 422
load cell / underload:	4-20 mA CC + 4 mA
brake 1 / brake 2:	2 Phase 400V / AC
any signal	24 V DC active



- e.g.:
- turn table
  - elevator / podium
  - trolley
  - curtain track
  - winch
  - plattform

## Movecat System Stop category 1 for variable speed devices



REMOTE CONTROL

NETWORK

POWER CONTROL

DEVICES